

PNM-9000VD

10M H.265 Multi-directional Camera



Key Features

- Exchangeable 2 x 5MP lens modules (2 x 5MP resolution)
- Max. 30fps@all resolution (H.265 / H.264)
- WDR 120dB
- 3.7mm, 4.6mm, 7mm fixed lens (5MP module)
- H.265, H.264, MJPEG codec, Multi streaming support
- Video analytics, WiseStream II
- Micro SD / SDHC / SDXC memory 2 slots
- IP66, IK10, PoE

Compatible lenses



SLA-5M3700D



SLA-5M4600D



SLA-5M7000D

Compatible Accessories (Optional)



SBP-201HMW



SBP-300WMW



SBP-300WMW1



SBP-300LMW



SBP-300KMW



SBP-300PMW



SBP-300CMW



SBP-300BW



SBP-300NBW

Video	
Resolution	2560x1920, 2560x1440, 1920x1080, 1600x1200, 1280x1024, 1280x960, 1280x720, 1024x768, 800x600, 800x448, 720x576, 720x480, 640x480, 320x240
Max. Framerate	H.265/H.264: Max. 30fps/25fps(60Hz/50Hz) MJPEG: Max. 30fps/25fps(60Hz/50Hz)
Video Out	CVBS: 1.0 Vp-p / 75Ω composite, 720x480(N), 720x576(P) for installation
Lens	
Optional Lens	SLA-5M3700D(5MP 3.7mm) SLA-5M4600D(5MP 4.6mm) SLA-5M7000D(5MP 7.0mm)
Operational	
Camera Title	Displayed up to 85 characters
Day & Night	Auto(Electrical)
Backlight Compensation	BLC, HLC, WDR, SDR
Wide Dynamic Range	120dB
Digital Noise Reduction	SSNR V
Digital Image Stabilization	Support
Defog	Support
Motion Detection	8ea, 8point polygonal zones
Privacy Masking	32ea, polygonal zones - Color: Grey/Green/Red/Blue/Black/White - Mosaic
Gain Control	Low / Middle / High
White Balance	ATW / AWC / Manual / Indoor / Outdoor
LDC	Support
Electronic Shutter Speed	Minimum / Maximum / Anti flicker (2~1/12,000sec)
Video Rotation	Flip, Mirror, Hallway view(90/270)
Analytics	Defocus detection, Directional detection, Fog detection, Face detection, Motion detection, Appear/Disappear, Enter/Exit, Loitering, Tampering, Virtual line
Alarm Triggers	Analytics, Network disconnect
Alarm Events	File upload via FTP and e-mail Notification via e-mail SD/SDHC/SDXC or NAS recording at event triggers Handover
Network	
Ethernet	RJ-45(10/100BASE-T)
Video Compression	H.265/H.264: Main/Baseline/High, MJPEG
Smart Codec	Manual(5ea area), WiseStream II
Bitrate Control	H.264/H.265: CBR or VBR MJPEG: VBR
Streaming	Unicast(20 users) / Multicast Multiple streaming(Up to 10 profiles)

Protocol	IPv4, IPv6, TCP/IP, UDP/IP, RTP(UDP), RTP(TCP), RTCP, RTSP, NTP, HTTP, HTTPS, SSL/TLS, DHCP, FTP, SMTP, ICMP, IGMP, SNMPv1/v2c/v3(MIB-2), ARP, DNS, DDNS, QoS, PIM-SM, UPnP, Bonjour
Security	HTTPS(SSL) Login Authentication Digest Login Authentication IP Address Filtering User access log 802.1X Authentication(EAP-TLS, EAP-LEAP)
Application Programming Interface	ONVIF Profile S SUNAPI(HTTP API)
General	
Webpage Language	English, Korean, Chinese, French, Italian, Spanish, German, Japanese, Russian, Swedish,, Portuguese, Czech, Polish, Turkish, Dutch, Hungarian, Greek
Edge Storage	Micro SD/SDHC/SDXC 2slot 256GB(Each CH)
Memory	1024MB RAM, 256MB Flash
Environmental & Electrical	
Operating Temperature / Humidity	-40°C~+55°C(-40°F~+131°F) / Less than 90% RH
Storage Temperature / Humidity	-50°C~+60°C(-58°F~+140°F) / Less than 90% RH
Certification	IP66, IK10
Input Voltage	PoE(IEEE802.3af, Class3)
Power Consumption	PoE: 12.95W, typical 12.00W
Mechanical	
Color / Material	White / Aluminum
RAL Code	RAL9003
Product Dimensions / Weight	Ø197.6x84mm(7.78x3.31"), 1250g(2.76 lb)

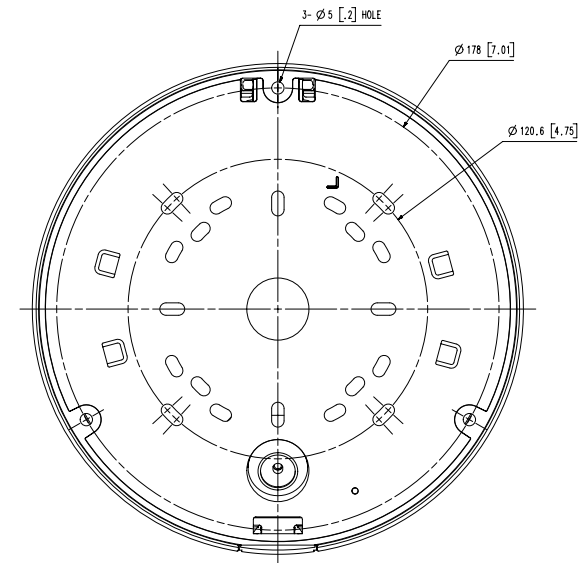
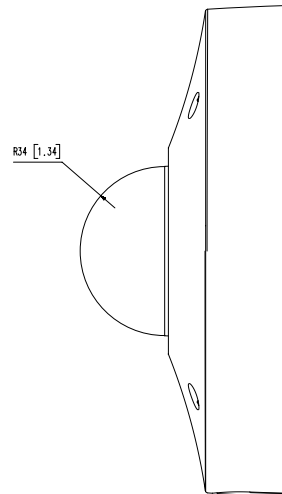
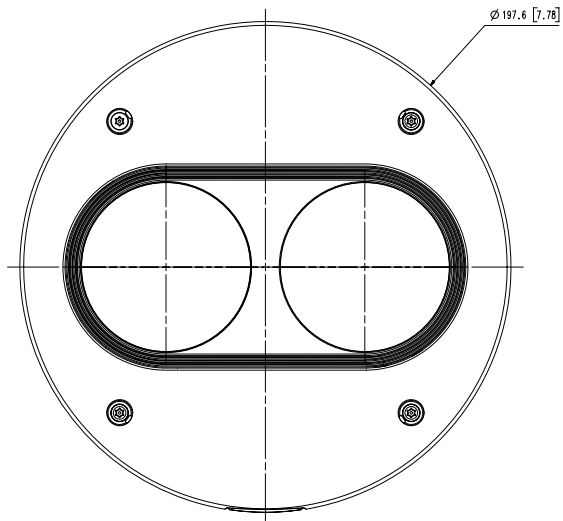
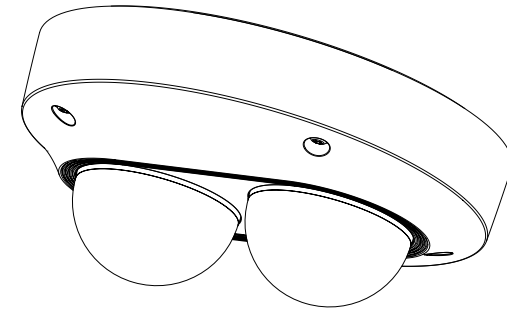
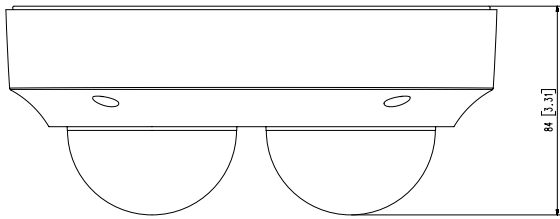
- The latest product information / specification can be found at hanwha-security.com
- Design and specifications are subject to change without notice.
- Wisenet is the proprietary brand of Hanwha Techwin, formerly known as Samsung Techwin.

Compatible lenses



Video	SLA-5M3700D	SLA-5M4600D	SLA-5M7000D
Imaging Device	1/1.8" 5MP CMOS	1/1.8" 5MP CMOS	1/1.8" 5MP CMOS
Effective Pixels	2616(H)x1976(V)	2616(H)x1976(V)	2616(H)x1976(V)
Min. Illumination	Color : 0.16Lux(F1.6, 1/30sec, 30IRE) B/W : 0.16Lux(F1.6, 1/30sec, 30IRE)	Color : 0.16Lux(F1.6, 1/30sec, 30IRE) B/W : 0.16Lux(F1.6, 1/30sec, 30IRE)	Color : 0.16Lux(F1.6, 1/30sec, 30IRE) B/W : 0.16Lux(F1.6, 1/30sec, 30IRE)
Lens			
Focal Length (Zoom Ratio)	3.7mm fixed focal	4.6mm fixed focal	7.0mm fixed focal
Max. Aperture Ratio	F1.6	F1.6	F1.6
Angular Field of View	H:97.5°, V:71.9°, D:126.2°	H: 77.9°, V: 57.9°, D: 98.7°	H: 50.7°, V: 37.8°, D: 63.8°
Lens Type	Fixed focal	Fixed focal	Fixed focal
Pan / Tilt / Rotate			
Pan / Tilt / Rotate Range	-90°~+90° / +36~+73° / -180°~+180°	-90°~+90° / +36~+73° / -180°~+180°	-90°~+90° / +36~+73° / -180°~+180°
Operational			
Wide Dynamic Range	120dB	120dB	120dB
Day & Night	Auto(Elctrical)	Auto(Elctrical)	Auto(Elctrical)
Mechanical			
Color / Material	Black / Plastic	Black / Plastic	Black / Plastic
Product dimensions / weight	Ø35.5x35.9mm(1.40x1.41") / 35g(0.08 lb)	Ø35.5x35.9mm(1.40x1.41") / 35g(0.08 lb)	Ø35.5x35.9mm(1.40x1.41") / 35g(0.08 lb)

- The latest product information / specification can be found at hanwha-security.com
- Design and specifications are subject to change without notice.
- Wisenet is the proprietary brand of Hanwha Techwin, formerly known as Samsung Techwin.



UNIT : mm [inch]